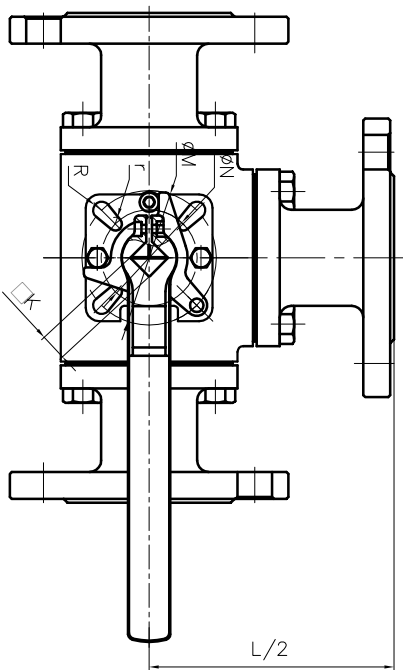
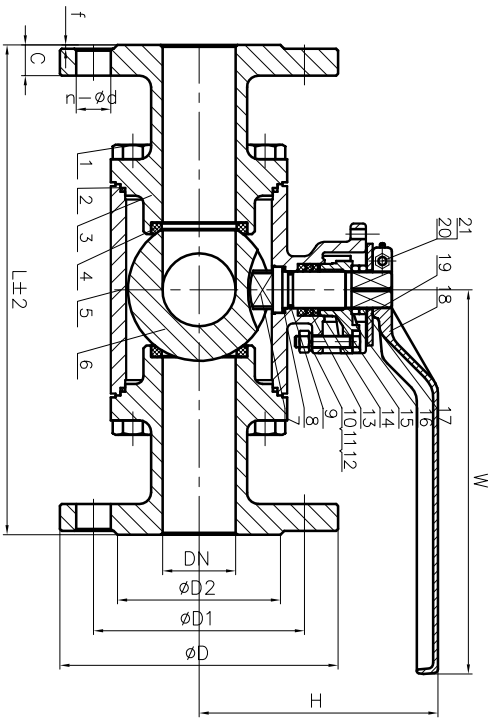
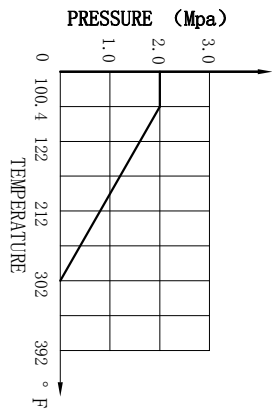


**BVH5F6F/150**



- NOTE:
1. Design and Manufacture for valve according to ANSI B16.34-2009.
  2. Face-to-Face dimensions for valve according to ASME B16.10-2009.
  3. End Flange dimensions for valve according to ASME B16.5-2009.
  4. Inspection and Test for valve according to API 598-2009.

Nominal pressure		150LB	
Test pressure	3.0	Test medium	water
Test seal	2.2	Test temperature	normal temperature
Gas seal test	0.6	air	
Applicable medium	water,oil,gas		
Applicable temperature	-20-302°F		

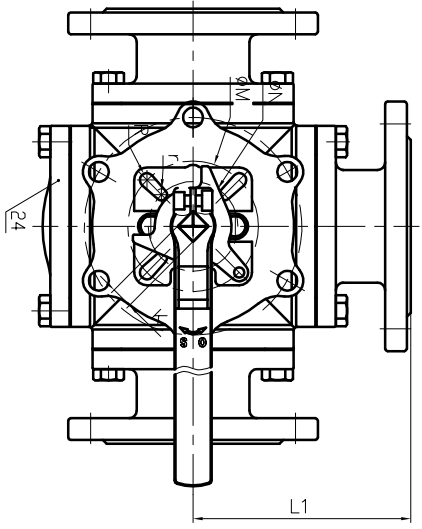
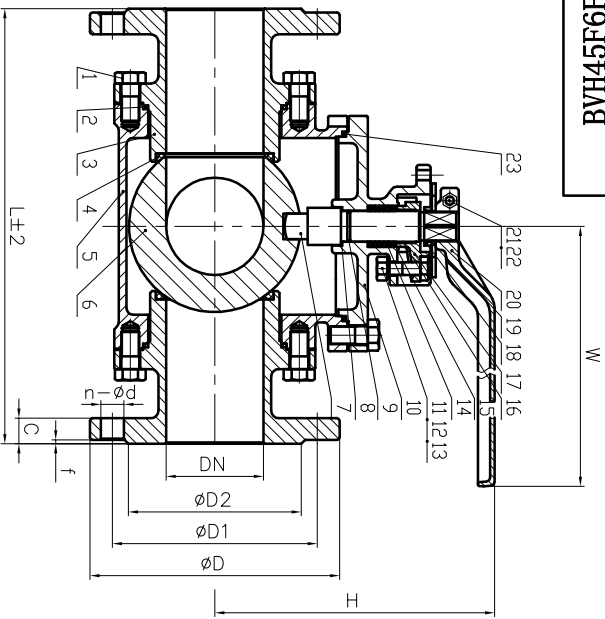


NPS	L	D	D1	D2	C	F	n-φd	H	W	K	M	N	R	r	Weight (lb)
1"	8.465	4.331	3.126	2.000	0.472	0.079	4-φ0.63	4.094	5.906	0.433	1.969	1.654	0.138	0.118	-
1 1/2"	10.039	4.921	3.874	2.874	0.591	0.079	4-φ0.63	4.921	7.874	0.551	2.756	1.969	0.177	0.138	-
2"	11.024	5.906	4.752	3.626	0.630	0.079	4-φ0.748	6.063	10.630	0.669	2.756	-	0.177	-	-
2 1/2"	12.205	7.087	5.500	4.126	0.709	0.079	4-φ0.748	6.378	10.630	0.669	2.756	-	0.177	-	-

21	NUT	1		A194 8
20	HEX SOCKET BOLT	1		A193 B8
19	STOPPER	1		SS304
18	HANDLE	1		STAINLESS STEEL
17	WASHER	1		PVC
16	GLAND	1		A351 CF8
15	BUSHING	1		PTFE
14	GASKET	1		SS304
13	PACKING	-		PTFE
12	NUT	2		A194 8
11	SPRING WASHER	2		SS304
10	BOLT	2		A193 B8
9	O-RING	1		VITON
8	STEM WASHER	1		PTFE
7	STEM	1		A276 316
6	BALL	1		SS316
5	BODY	1		A351 CF8M
4	SEAT	4		PTFE
3	BONNET	3		A351 CF8M
2	GASKET	3		PTFE
1	BOLT	-		A193 B8
NO.	DESCRIPTION	Q'TY	MATERIAL	
<b>ANIX®</b>				ANIX VALVE USA
3 Way T Port Ball Valve 150LB				BVH45F6F/150
MARK	BEFORE MODIFIED	AFTER MODIFIED	DATE	SCALE
DRAW.				
CHK.				

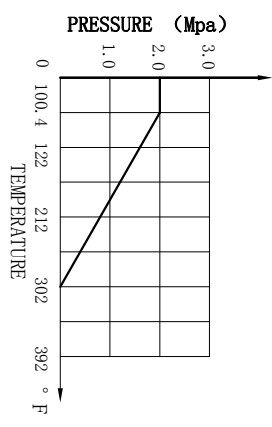
**051/BVH45F6F/150**

NPS	L	L1	D	D1	D2	C	f	n-φd	H	W	K	M	N	R	r	Weight (lb)
3"	13.386	6.693	7.480	6.000	5.000	0.748	0.079	4-φ0.748	8.583	12.598	0.669	4.016	2.756	0.217	0.177	
4"	15.354	7.677	9.055	7.500	6.189	0.945	0.079	8-φ0.748	9.724	19.685	0.866	4.016	2.756	0.217	0.177	



- NOTE:
1. Design and Manufacture for valve according to ANSI B16.34-2009.
  2. Face-to-Face dimensions for valve according to ASME B16.10-2009.
  3. End Flange dimensions for valve according to ASME B16.5-2009.
  4. Inspection and Test for valve according to API 598-2009.

Nominal pressure		150LB	
Test pressure	3.0	Test pressure	3.0
Test seal	2.2	Test seal	2.2
Gas seal	0.6	Test medium	air
Test		Test temperature	normal temperature
Applicable medium	water, oil, gas		
Applicable temperature	-20~302°F		



NO.	DESCRIPTION	Q'TY	MATERIAL
24	BACK BONNET	1	A351 CF8M
23	GASKET 2	1	PTFE
22	NUT	1	A194 8
21	HEX SOCKET BOLT	1	A193 B8
20	STOPPER	1	SS304
19	HANDLE	1	STAINLESS STEEL
18	WASHER	1	PVC
17	GLAND	1	A351 CF8
16	BUSHING	1	PTFE
15	GASKET	1	SS304
14	PACKING	-	PTFE
13	NUT	2	A194 8
12	SPRING WASHER	2	SS304
11	BOLT	2	A193 B8
10	UPPER BONNET	1	A351 CF8M
9	O-RING	1	VITON
8	STEM WASHER	1	PTFE
7	STEM	1	A276 316
6	BALL	1	SS316
5	BODY	1	A351 CF8M
4	SEAT	4	PTFE
3	BONNET	3	A351 CF8M
2	GASKET 1	4	PTFE
1	BOLT	-	A193 B8

**ANIX®**

ANIX VALVE USA  
3 Way T Port  
Ball Valve 150LB

BVH45F6F/150

MARK	BEFORE MODIFIED	AFTER MODIFIED	DATE
DRAW.		APP.	
CHK.		DATE	

SCALE